

The reproduction, distribution and utilization of this document as well as the communication of its contents to other without explicit authorization is prohibited. Offenders will be held liable for the payment of damages. All rights reserved in the event of the grant of a patent, utility model or design.

1 2 3 4

A

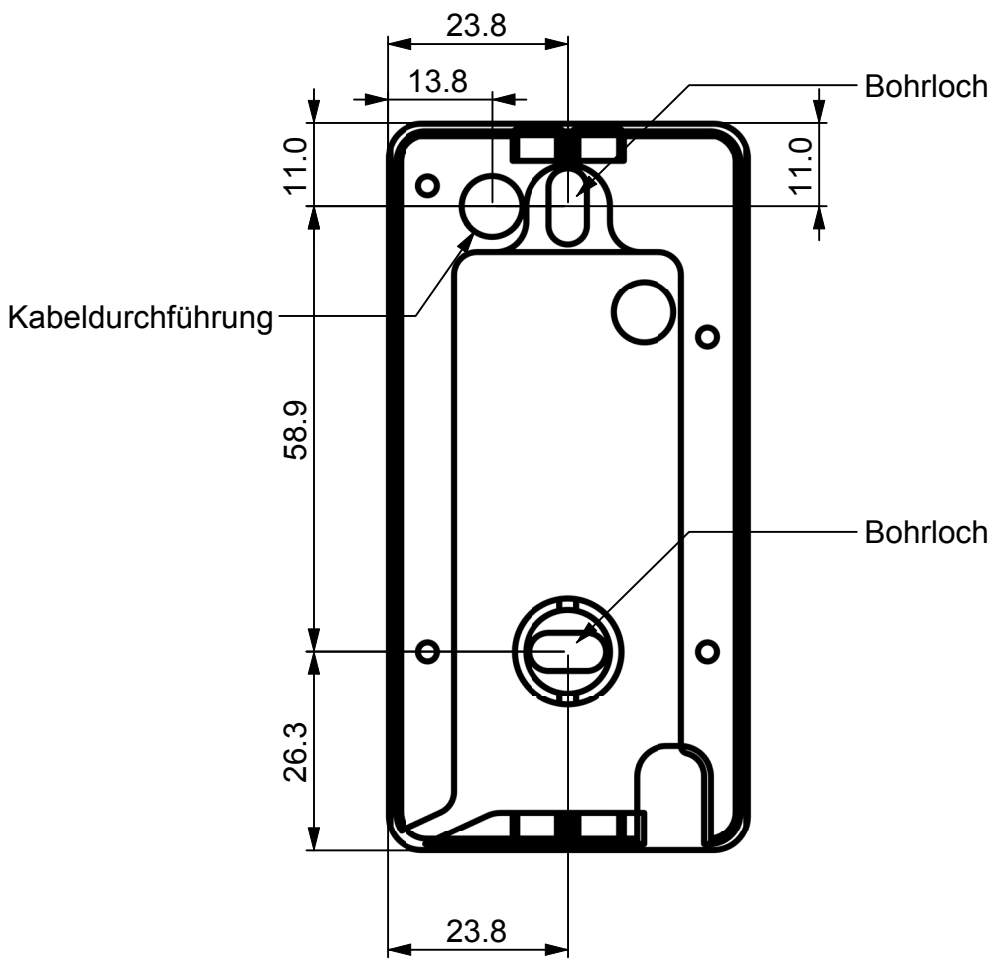
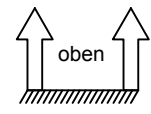
B

C

D

E

F



allg. Toleranzen nach:				Freigabe:		Maßstab: 1:1		Gewicht:	
								Werkstoff:	
				Datum		Name		Bezeichnung:	
				Bearb. 03.04.2019		M. Schmidt		Bohrschablone für Audio-Außenstationsserie ASX	
				Gepr.					
				TCS TürControlSysteme AG www.tcsag.de					
Zust.		Änderung		Datum		Name		Art.-Nr.:	
								ASX13001-0010 (1x Klingeltasten)	
								ASX13002-0010 (2x Klingeltasten)	
								Blatt 1	
								1 Bl.	